

## #14426 Thompson Wardrobe Kit

Step-by-step assembly instructions

Copyright miniatures.com 2024

### PARTS LIST:

Wardrobe Back  
Wardrobe Left  
Wardrobe Right  
Wardrobe Top  
Wardrobe Bottom  
Wardrobe Divider  
Wardrobe Shelf (3)  
Wardrobe Wall  
Wardrobe Door (2)  
Wardrobe Rod  
Drawer Bottom  
Drawer Sides (2)  
Drawer Back  
Drawer Front  
Drawer Front Panel



### GENERAL INSTRUCTIONS

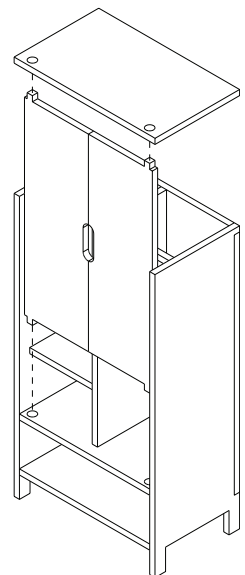
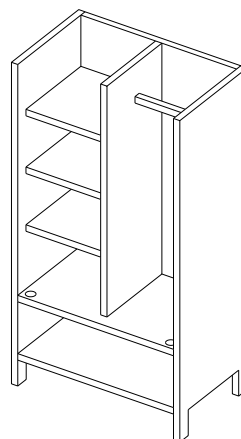
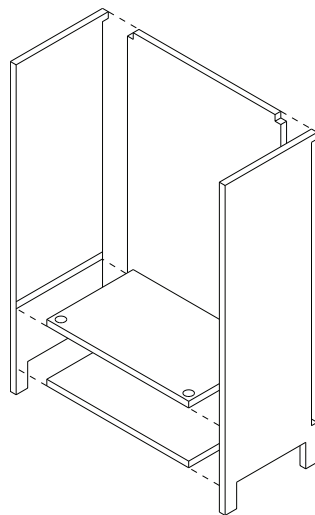
- Identify and inspect all parts using the Parts List.
- Thoroughly read the directions before starting.
- Set up a dedicated work area to avoid the need to unpack, repack, or move the project frequently.
- Use a clean, level, and dry work surface protected from glue spills.
- Dry fit the parts using masking tape to ensure everything aligns correctly before permanent assembly.

## Assembly Instructions

### WARDROBE

*Parts you will need*

- Wardrobe Back
- Wardrobe Left
- Wardrobe Right
- Wardrobe Top
- Wardrobe Bottom
- Wardrobe Divider
- Wardrobe Shelf (3)
- Wardrobe Wall
- Wardrobe Rod
- Wardrobe Door (2)



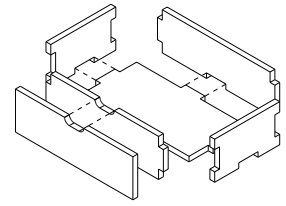
1. Glue the **Left Side**, **Right Side** and **Bottom** to the **Back**, aligning tab and slot patterns with etched lines facing the interior. Ensure edges are flush and let the glue set.
2. Slide the **Divider** into place with holes oriented to the front.
3. Arrange and glue the **Wall**, **Shelves**, and **Wardrobe Rod** inside as desired, ensuring all parts are square.
4. Insert the **Doors**, aligning their tabs with the **Divider** holes.
5. Attach and glue the **Top**, fitting it over the **Door** tabs and securing it to the box. Ensure the doors swing freely.
6. Clean off excess glue. Set aside to dry.

## DRAWER

Parts you will need

- Drawer Bottom
- Drawer Sides (2)
- Drawer Back
- Drawer Front
- Drawer Front Panel

1. Build a box around the **Bottom** using the **Sides, Back,** and **Front**. Note that the **Back** has one square notch. The **Front** has a square notch and a rounded handle.
2. Glue the **Front Panel** to the drawer front. Note that the **Front Panel** has a rounded handle. It is flush along all edges.
3. Put aside to dry.



## PUTTING IT TOGETHER

1. Insert the drawer into the cavity. Sand if needed.

Assembly is complete. Enjoy finishing as desired.

## Parts Diagram

Note: Not to scale

